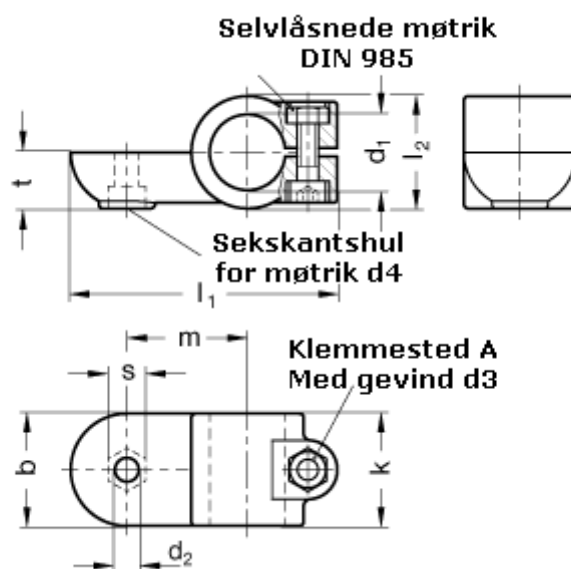


Article number: 20278B40MZ2BL

Description: E+G Swivel clamp connector
GN278-B40-MZ-2-BL

Measures



| | |
|--------------|------------|
| $b = 65$ | $m = 70$ |
| $d_1 = B40$ | $s = 17.0$ |
| $d_2 = 10.5$ | $t = 32.5$ |
| $d_3 = M10$ | |
| $d_4 = M10$ | |
| $k = 65$ | |
| $l_1 = 148$ | |
| $l_2 = 65$ | |